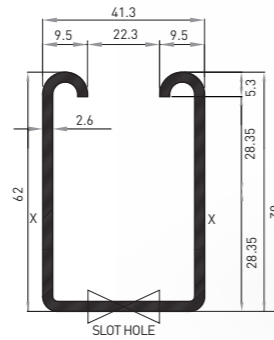


Unison Strut Channel

UN550B TYPE :

62mm Single Channel-Backhole Type

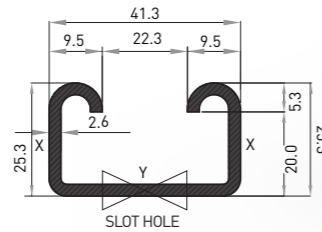
- Material : SS400, A36, SA 36
- Thickness : 2.6 mm
- Standard Length : 3.0m & 4.5m & 6.0m
- Standard Finished : Hot-Dipped Galvanizing
- Weight : 3.68 kg / m



UN250B TYPE :

25mm Single Channel-Backhole Type

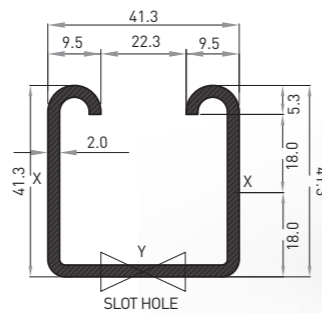
- Material : SS400, A36, SA36
- Thickness : 2.6 mm
- Standard Length : 3.0m & 4.5m
- Standard Finished : Hot-Dipped Galvanizing
- Weight : 1.815 kg / m



UN100B-SU TYPE :

41mm Single Channel SUS316L-Backhole Type

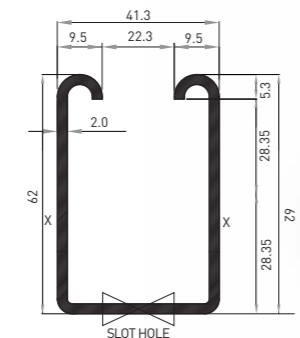
- Material : SUS316L, A240TP304, SA240TP304, A240TP316L, SA240TP316L
- Thickness : 2.0 mm
- Standard Length : 3.0m & 4.5m
- Weight : 1.95 kg / m



UN550B-SU TYPE :

62mm Single Channel SUS316L-Backhole Type

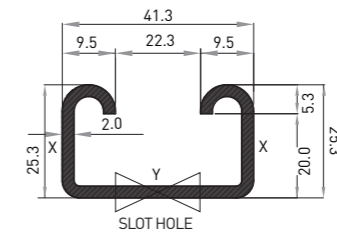
- Material : SUS316L, A240TP304, SA240TP304, A240TP316L, SA240TP316L
- Thickness : 2.0 mm
- Standard Length : 3.0m & 4.5m
- Weight : 2.64 kg / m



UN250B-SU TYPE :

25mm Single Channel SUS316L-Backhole Type

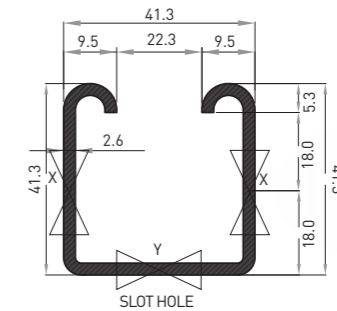
- Material : SUS316L, A240TP304, SA240TP304, A240TP316L, SA240TP316L
- Thickness : 2.0 mm
- Standard Length : 3.0m & 4.5m
- Weight : 1.76 kg / m



UN100B-B3 TYPE :

41mm Single Channel-3 Backhole Type

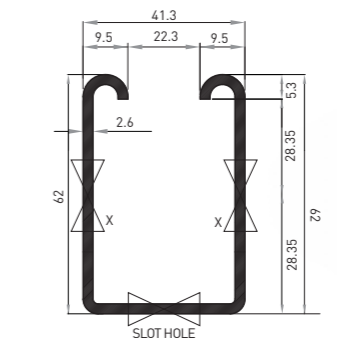
- Material : SS400, A36, SA36
- Thickness : 2.6mm
- Length : 3.0m & 4.5m & 6.0m
- Standard Finished : Hot-Dipped Galvanizing
- Weight : 2.49 kg / m



UN550B-B3 TYPE :

62mm Single Channel-3 Backhole Type

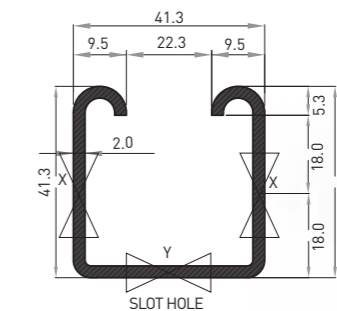
- Material : SS400, A36, SA36
- Thickness : 2.6 mm
- Length : 3.0m & 4.5m & 6.0m
- Standard Finished : Hot-Dipped Galvanizing
- Weight : 3.44 kg / m



UN100B-SU-B3 TYPE :

41mm Single Channel SUS316L-3 Backhole Type

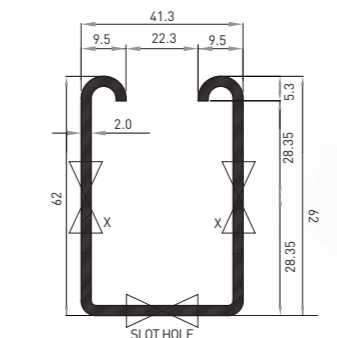
- Material : SUS316L, A240TP304, SA240TP304, A240TP316L, SA240TP316L
- Thickness : 2.0 mm
- Length : 3.0m & 4.5m
- Weight : 1.71 kg / m



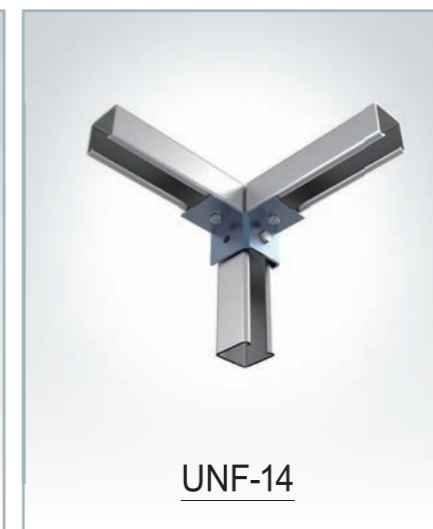
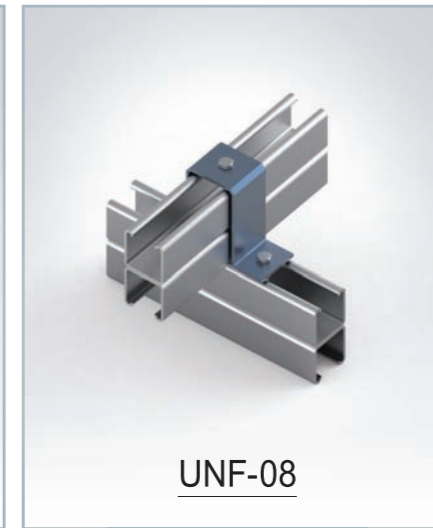
UN550B-SU-B3 TYPE :

62mm Single Channel SUS316L-3 Backhole Type

- Material : SUS316L, A240TP304, SA240TP304, A240TP316L, SA240TP316L
- Thickness : 2.0 mm
- Length : 3.0m & 4.5m
- Weight : 2.4 kg / m



Unison Strut Fittings



Unison Strut Channel Bolt & Washer

Bolt

- Material : A307GR.A, SA307GR.A, A193GR.B8, SA193GR.B8, A193GR.B8M, SA193GR.B8M
- Standard Finish : Galv'd(Carbon)



Thread Size	Part No.	Length
M6	UNHB-M6	30L / 35L
M8	UNHB-M8	30L / 35L
M10	UNHB-M10(STANDARD)	25L / 30L / 80L
M12	UNHB-M12	30L

Washer

- Material : A36, SA36, SUS316L, A240TP304, SA240TP304, A240TP316L, SA240TP316L
- Standard Finish : Galv'd(Carbon)



Thread Size	Part No.
M6	UNPW-M6
	UNSW-M6
M8	UNPW-M8
	UNSW-M8
M10	UNPW-M10(STANDARD)
	UNSW-M10(STANDARD)
M12	UNPW-M12
	UNSW-M12

Unison Strut Channel Nut

Spring Nut

- Material : A563GR.A, SA563GR.A, A194GR.8, SA194GR.8, A194GR.8M, SA194GR.8M
- Standard Finish : Galv'd(Carbon)



Thread Size	Part No.	Length
M6	UNSN-M6	3.10
M8	UNSN-M8	3.18
M10	UNSN-M10(STANDARD)	4.12
M12	UNSN-M12	5.50

Strut Nut

- Material : A563GR.A, SA563GR.A, A194GR.8, SA194GR.8, A194GR.8M, SA194GR.8M
- Standard Finish : Galv'd(Carbon)

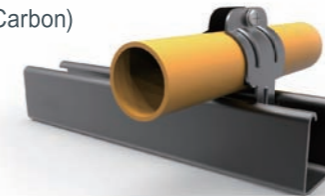


Thread Size	Part No.	Length
M6	UNCN-M6	2.85
M8	UNCN-M8	3.05
M10	UNCN-M10(STANDARD)	3.95
M12	UNCN-M12	5.0

Unison Strut Channel Clamp

Pipe Clamp

- Material : SS400, A36, SA36, A240TP304, SA240TP304, A240TP316L, SA240TP316L, SA240TP316L
- Standard Finish : Galv'd(Carbon)



Part No.	Conduit Size		Material Thickness		Weight(kg)
UNF-901-10	3/8"	(10 A)	16 Ga.	(1.6t)	0.45
UNF-901-15	1/2"	(15 A)	16 Ga.	(1.6t)	0.50
UNF-901-20	3/4"	(20 A)	14 Ga.	(2.0t)	0.68
UNF-901-25	1"	(25 A)	14 Ga.	(2.0t)	0.72
UNF-901-32	1 1/4"	(32 A)	14 Ga.	(2.0t)	0.91
UNF-901-40	1 1/2"	(40 A)	12 Ga.	(2.6t)	1.36
UNF-901-50	2"	(50 A)	12 Ga.	(2.6t)	1.54
UNF-901-65	2 1/2"	(65 A)	12 Ga.	(2.6t)	1.72
UNF-901-80	3"	(80 A)	12 Ga.	(2.6t)	1.99

Pipe Clamp Strap

- Material : SS400, A36, SA36, A240TP304, SA240TP304, A240TP316L, SA240TP316L, SA240TP316L
- Standard Finish : Galv'd(Carbon)



Part No.	Pipe Size		Material Thickness		Weight(kg)	
UNF-902-05	1/2"	(15 A)	(21.7)	10 Ga.	(3.2t)	0.11
UNF-902-10	3/4"	(20 A)	(27.2)	10 Ga.	(3.2t)	0.12
UNF-902-15	1"	(25 A)	(34)	10 Ga.	(3.2t)	0.14
UNF-902-20	1 1/4"	(32 A)	(42.7)	10 Ga.	(3.2t)	0.16
UNF-902-25	1 1/2"	(40 A)	(48.6)	10 Ga.	(3.2t)	0.18
UNF-902-30	2"	(50 A)	(60.5)	3 Ga.	(6.0t)	0.42
UNF-902-40	2 1/2"	(65 A)	(76.3)	3 Ga.	(6.0t)	0.48

Spiral Duct Clamp

- Material : SS400, A36, SA36, A240TP304, SA240TP304, A240TP316L, SA240TP316L, SA240TP316L
- Standard Finish : Galv'd(Carbon)



Part No.	Clamp Dia.	Material Thickness	Weight (kg)	Part No.	Clamp Dia.	Material Thickness	Weight (kg)
UNF-903-R80	Φ89	2.0t	1.3	UNF-903-PR80	Φ123	2.0t	1.7
UNF-903-R100	Φ109	2.0t	1.5	UNF-903-PR100	Φ143	2.0t	1.85
UNF-903-R125	Φ134	2.0t	1.8	UNF-903-PR125	Φ163	2.0t	1.95
UNF-903-R160	Φ169	2.0t	1.95	UNF-903-PR160	Φ203	2.0t	2.25
UNF-903-R200	Φ209	2.0t	2.28	UNF-903-PR200	Φ243	2.0t	2.38
UNF-903-R250	Φ259	2.0t	2.4	UNF-903-PR250	Φ293	2.0t	2.58
UNF-903-R315	Φ325	2.0t	2.87	UNF-903-PR315	Φ358	2.0t	3.0

Unison Strut Channel Plastic End Cap



Part No.	Material	Color
UNF801	Polyurethane	Gray